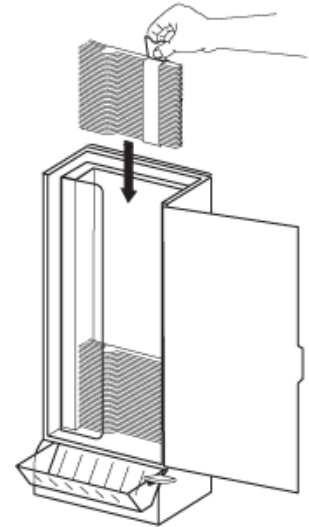
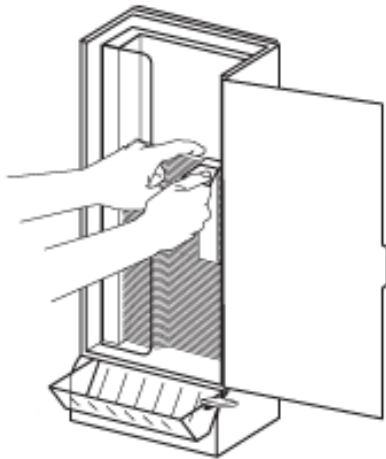


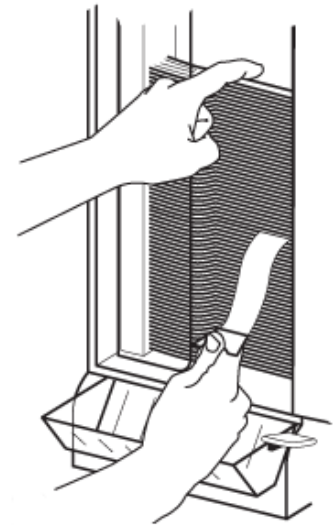
Dixie® SmartStock® Cutlery Dispenser Loading

1. Open the dispenser door. Pick up SmartStock [refill](#) insert by the paper tab. DO NOT TOUCH THE FOOD CONTACT END OF THE REFILL INSERT. Position the refill insert in the dispenser with the "pull" tab on top to assure correct loading.

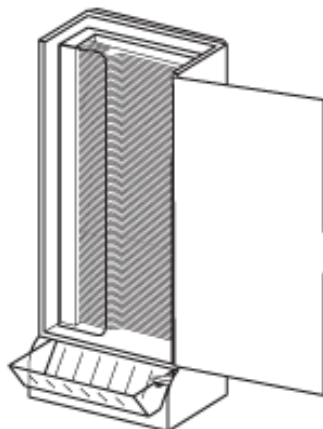


2. Secure the refill insert in the dispenser at the lowest refill point. Rip the perforated tab and pull the paper tape down.

3. Pull the paper security tab away until the entire paper/tape binding is out of the dispenser.



4. Repeat until the entire dispenser is full. The dispenser will be filled with 120 utensils. An empty dispenser is filled by three (3) refill (40 utensils each) inserts.



If you experience any problems with loading the dispenser, call 1-866-HELLO GP (435-5647) or [contact us](#) via e-mail.